

Excel Category 6 UTP Butterfly Style Toolless Angled Jack - Black

Item Code: 100-213

excel
without compromise.



✕ Category 6

✕ Suitable for use in 100-023 only

✕ Angled design

✕ Toolless termination design

✕ 25 Year system warranty

Product Overview

Excel Category 6 U/UTP Angled Keystone Jack is a toolless termination RJ45 socket suitable for mounting in patch panels.

The angled design of the socket face makes this product ideal for high density frames. Traditional horizontal patch cable management bars can be removed or reduced in number as the leads follow a natural route to the left or right of the panel and the cabinets vertical management.

To the rear of the socket the design is exactly the same as the excel keystone range, enabling standard termination and cable dressing practices to be followed. The socket itself is housed in a high quality ABS plastic housing, which opens at the rear in a butterfly manner to reveal the IDC termination points. Once the conductors of the cable to be terminated are fed into a management cap the process is completed by snapping the 'butterfly wings' together with minimal, but firm pressure.

Product Specifications

Feature	Values
Model	Jack
Type of connector	RJ45 8(8)
Category	6
Suitable for round cable	Yes
Suitable for solid core	Yes
Colour	Black
AWG-range	22...26

Excel Category 6 UTP Butterfly Style Toolless Angled Jack - Black

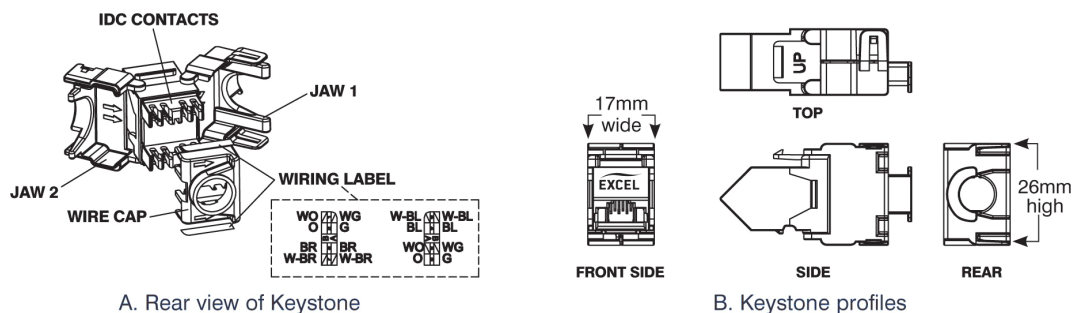
Item Code: 100-213



Additional specifications

Features	Values
Width	17mm
Depth	43mm
Height	25.2mm
Housing	ABS High-Impact
RJ45 Contacts	Nickel plated phosphor bronze alloy with 50 micro-inch Gold plating
IDC Contacts	Tin plated phosphor bronze alloy
RJ45 Life	Minimum 750 insertions
Storage temperature	-40 to +70°C
Operating temperature	-10 to +60°C

Product drawing



Included accessories

Accessories	Singles	24-packs
Nylon cable tie	1	24
Wiring cap	1	24

Excel Category 6 UTP Butterfly Style Toolless Angled Jack - Black

Item Code: 100-213



Standards

Applicable standard	Detail
RoHS	Restriction of Hazardous Substances - Compliant
ISO/IEC 11801-1:2017	Information technology - Generic cabling for customer premises: Part 1 General Requirements
EN 50173-1:2011	Information technology. Generic cabling systems - General requirements
ANSI/TIA 568-2.D	Balanced Twisted-Pair Telecommunications Cabling and Components Standards
UL-94-V-0	Burning stops within 10 seconds after two applications of ten seconds each of a flame to a test bar. NO flaming drips are allowed.

Part Number Table

Part Number	Description
100-213	Excel Category 6 UTP Butterfly Style Toolless Angled Jack - Black
100-213-24	Excel Category 6 UTP Butterfly Style Toolless Angled Jack - Black (24-pack)

Excel is a world class premium performing end to end infrastructure solution designed, Manufactured, supported and delivered without compromise.

Contact us at sales@excel-networking.com



E&OE. Excel is a registered trade name of Mayflex Holdings Ltd.