

Excel Category 6A (UTP) Unscreened Keystone Jack - White

Item Code: 100-156

excel
without compromise.



- ✕ IDC point at 180 degrees to jack
- ✕ Suitable for patch panel and faceplate mounting
- ✕ EC Verified
- ✕ UL 94-V-0 Safety Listed
- ✕ UK94V-0 fire retardant plastic
- ✕ Suitable for 10 Gigabit and 10GBase-T ethernet application

Product Overview

Excel Category 6A Unscreened Twisted Pair (U/UTP) Keystone Jack is a RJ45 Keystone Jack suitable for mounting in a range of housings from patch panels, faceplates and shutters, to floor boxes and work area distribution enclosures.

The socket itself is housed in a high quality ABS plastic housing which opens at the rear to reveal the IDC termination points. A choice of patch panel frames with either 16 or 24 port density in either black or chrome are available.

Product Specifications

Feature	Values
Model	Jack
Type of connector	RJ45 8(8)
Category	6A (IEC)
Requires termination tool	Yes
Suitable for round cable	Yes
Suitable for solid core	Yes
Colour	White
AWG-range	22...26

Excel Category 6A (UTP) Unscreened Keystone Jack - White

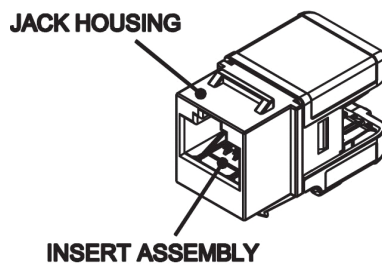
Item Code: 100-156



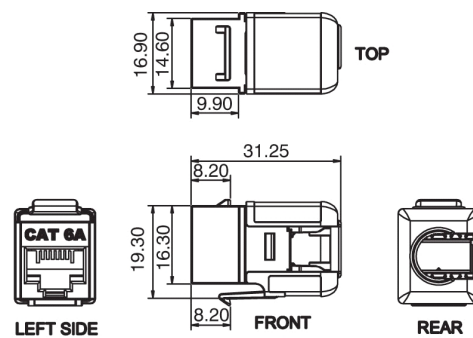
Additional specifications

Features	Values
Width	17mm
Depth	31.25mm
Height	19.3mm
Housing	ABS High-Impact
RJ45 Contacts	Nickel plated phosphor bronze alloy with 50 micro-inch Gold plating
IDC Contacts	Tin plated phosphor bronze alloy
RJ45 Life	Minimum 750 insertions
Suitable impact tool	LSA style punch down tool
Storage temperature	-40 to +70°C
Operating temperature	-10 to +60°C

Product drawing



A. Rear view of Keystone



B. Keystone profiles. Dimensions in mm

Included accessories

Accessories	Quantity
Nylon cable tie	1
Wiring cap	1

Excel Category 6A (UTP) Unscreened Keystone Jack - White

Item Code: 100-156



Standards

Applicable standard	Detail
RoHS	Restriction of Hazardous Substances - Compliant
ISO/IEC 11801-1:2017	Information technology - Generic cabling for customer premises: Part 1 General Requirements
EN 50173-1:2011	Information technology. Generic cabling systems - General requirements
ANSI/TIA 568-2.D	Balanced Twisted-Pair Telecommunications Cabling and Components Standards
UL-94-V-0	Burning stops within 10 seconds after two applications of ten seconds each of a flame to a test bar. NO flaming drips are allowed.

Part Number Table

Part Number	Description
100-156	Excel Category 6A (UTP) Unscreened Keystone Jack - White
100-156-24	Excel Category 6A (UTP) Unscreened Keystone Jack - White (24-pack)
100-156-BK	Excel Category 6A (UTP) Unscreened Keystone Jack - Black
100-156-BK-24	Excel Category 6A (UTP) Unscreened Keystone Jack - Black (24-pack)

Excel is a world class premium performing end to end infrastructure solution designed, Manufactured, supported and delivered without compromise.

Contact us at sales@excel-networking.com



E&OE. Excel is a registered trade name of Mayflex Holdings Ltd.